

Duke UNIVERSITY

A118223

RECYCLING EQUIPMENT

INDOOR RECYCLING
BINS

OUTDOOR RECYCLING
BINS

CARDBOARD
DUMPSTER

INDOOR RECYCLING BINS

The Sanitation and Recycling Office suggest that copier, mail and work rooms have a trash can and two recycling bins (one for office fiber and one for newspaper/magazines) and that public areas have a trash can, bottle/can bin, and newspaper/magazine bin. In some situations, office fiber bins are also needed in public areas.

Buildings, such as residential halls, dining halls, athletic facilities, theaters, conference centers, shipping and receiving areas, animal quarters, etc. may have special needs. Consult the Sanitation and Recycling Office for assistance with planning space for indoor recycling in these areas.





OUTDOOR RECYCLING CARTS

Ideally, the recycling carts and dumpsters will be on the same pad and enclosure. However, in some cases it is necessary for a standalone recycling cart area. It is imperative that the Sanitation and Recycling Office be contacted to help determine the number of recycling bins needed and any additional programs that should be included; dimensions for carts and configurations should be reviewed with the Sanitation and Recycling Office for approval.

Pad Dimensions:

- One measures 9'4" x 11'4" and has 3 carts parallel to one another. The other configuration has 6 carts in a line and measures 17'4" x 8'4".

Ramp:

- There MUST be a ramp at least 5' wide for access to the recycling containers.

Drainage:

- The floor of the enclosure (or the pad) shall slope 1/8" per foot to allow rainwater and other liquids to drain off without puddling.



CARDBOARD DUMPSTER

Serviced by a front load truck

Capacity: 8 cubic yards (inside capacity)

Style: Standard

Dimensions:

- Depth: 66"
- Width: 80" minimum, 84" maximum
- Body width: 72" wide, with sleeves: 81" wide

Slots:

- Horizontal slots on front
- Slot position: centered 68" from ground (66" from bottom of container) to bottom of opening
- Dimensions: 6" high x 56" long
- Opening to be framed with 3/16" x 1 1/2" channel iron

Bottoms:

- 12 gauge steel
- Reinforced with a 90 degree x 2 3/4" wide "V" crimp containing a 1 1/2" drain and plug (pipe coupling)
- Reinforced additionally with a 2" x 2" x 3/16" angle running length of bottom opposite "V" crimp
- Four (4) caster pads constructed from 3/16" steel plate
- Fully-welded stress areas

Front and Side Walls:

- 11 gauge steel (minimum)
- Reinforced with 90 degree x 1 1/2" "V" crimps, front and rear, to maintain rigidity

Front Bumper Pads and Side Lifting Sleeves:

- 3/16" thick, 36" long (maximum) sleeves
- 3/16" gussets for support
- 3/16" plate guides to assist fork arm entry

Side Doors:

- Sliding metal side doors with self cleaning tracks
- Welded closed or with means to lock

Lids:

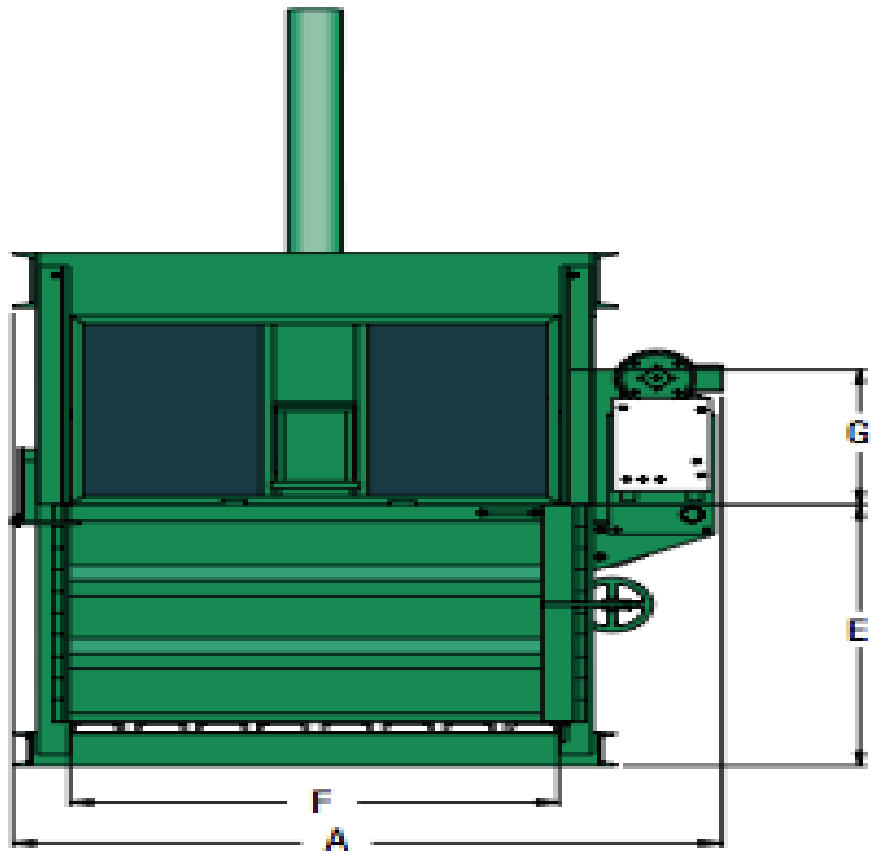
- Plastic (standard): Double wall construction with "V" crimp for added strength and Overhead lock bar to secure lids
- Metal: Steel lids must be reinforced and have 4" x 1/4" plate hinges with 1" o.d. hinge rods

Contact the Sanitation and Recycling Office for paint color options

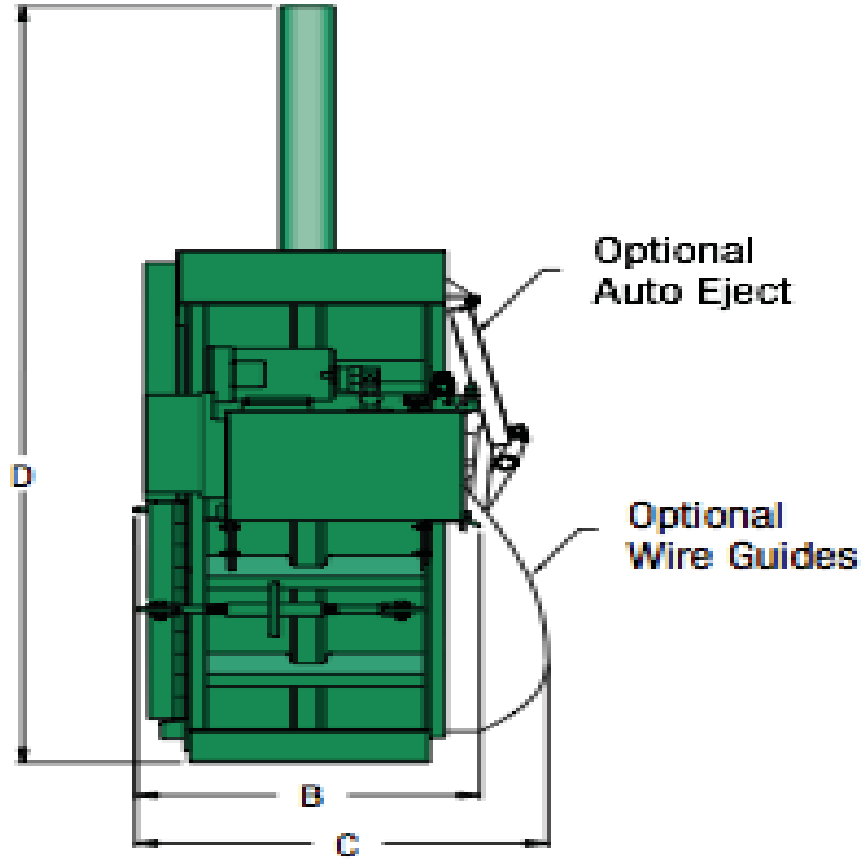


CARDBOARD BALER

Due to the complexities in choosing an appropriate baler for an individual building it is imperative that the Sanitation and Recycling Office be contacted for this information.



Front View



Side View

V-6030 HD Vertical Baler

Performance		V-6030 HD
Cylinder (Bore, Rod, & Stroke)	6" x 3.5" x 48" (152mm x 89mm x 1219mm)	
Pump Flow (Gear Pump)	10.5 gpm (39,7 lpm)	
Motor	10 hp (1,750 rpm) (7,46 kW)	
System Pressure	2,000 psi (13790 kPa)	
Maximum System Pressure	2,200 psi (15168 kPa)	
Maximum Platen Force	62,200 lbs. (277 kN)	
Platen Pressure	37 psi (255 kPa)	
Cycle Time	56 sec.	
Electrical Equipment		
Electrical	208/230/460 3-phase	
Electrical Control Voltage	120 VAC	
OFF/ON Security Key Switch; 3-Position Selector Switch; EMERGENCY STOP Button; IEC Motor Starter and Overload, Programmable Smart Relay UL® and CUL® Listed		
Bale Size Data		
Bale Size	60"W x 30"D x 48"H (1524mm x 762mm x 1219mm)	
Bale Volume	50 cu.ft. (1,42 m³)	
Bale Weight (OCC)	Up to 1,100 lbs. (499 kg)	
Number of Bale Ties (14 ga x 14" L)	5	
Total Baler Weight	4,682 lbs. (2124 kg)	
Dimensional Data		
A - Overall Width	87" (2210mm)	
B - Overall Depth	41½" (1054mm)	
C - Overall Depth (w/optional wire guides)	54½" (1384mm)	
D - Overall Height	140" (3556mm)	
E - Feed Height	48¼" (1226mm)	
F - Feed Opening Width	24" x 61" (609mm x 1549mm)	
G - Feed Opening Height	25" (635mm)	
H - Bale Door Clearance	58" (1473mm)	